

PRODUCTS DETAIL

Product Series: CTF

Product name : CTF-001



PRODUCT FEATURES

1. Simple shape, small size, all-metal gear driving, reliable performance, large torque, is the interface between civil and industrial-grade valve as intermediate products, the valve ball sealed structure with a float, no dripping and suitable for heavy dirt and long-term non-action occasions.
2. Electrical and mechanical double limit, accurate positioning, high consistency.
3. The connection of actuator and valve belong to ISO5211 standard, Flange type F03 and F05 convenience for user-selectable valve body. And supply Brass, stainless steel ball valve and PVC ball valve, IP65 Protection class, can be used in a relatively humid environment.
4. Position indicator and manual override function (Emergency switch for sudden power failure or accident emergency)

SCOPE OF APPLICATION

1. University Labs, automotive laboratories;
2. Drug production, diesel fuel saving, etc.;
3. Small equipment such as water saving, automatic control system and industrial automatic control in colleges and universities;
4. Agricultural irrigation, environmental protection, water supply and drainage, water treatment works;
5. Water-saving appliances, drinking water equipment, etc.

TECHNICAL PARAMETERS

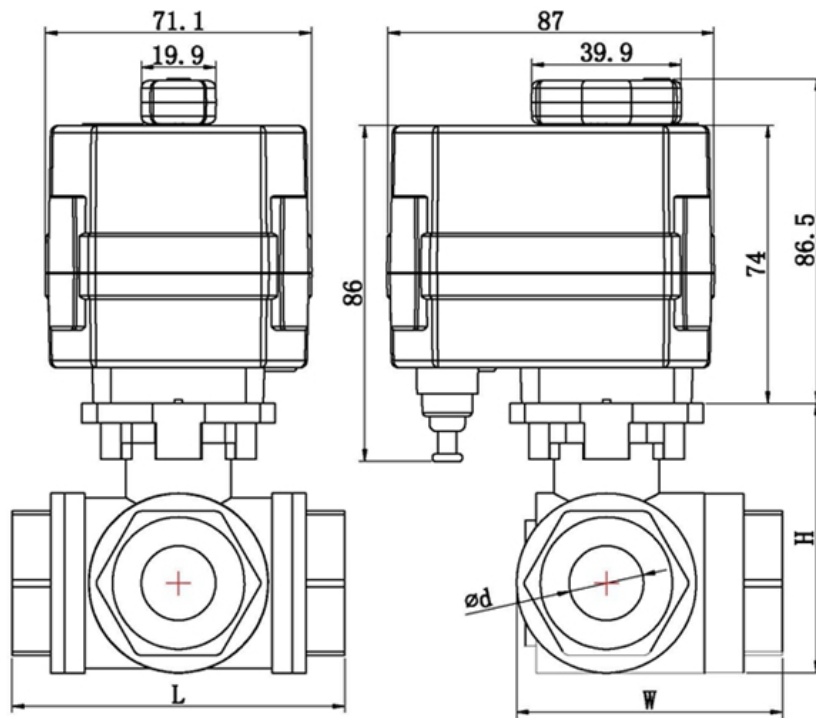
Product Model	Rated voltage	Output torque	Open/close time	Control mode	Working pressure
CTF001	3-6VDC 12VDC 9-24VADC 9-35VDC 220VAC 85-265VAC	Max10NM	<12s	CR01 CR02 CR03 CR04 CR05 CR01S CR02S CR03S CR04S	Max1.6Mpa

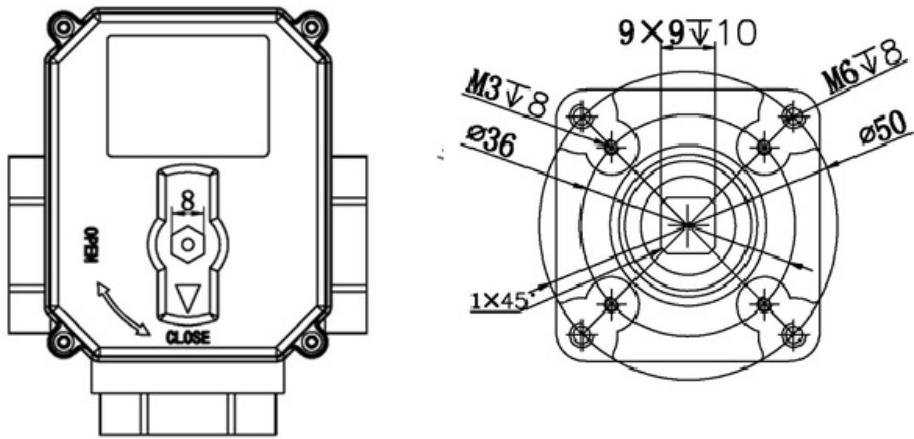
Motor voltage	Power	Working current	Size	IP Grade	Special function
5V 12V 24V	Max18W Max22W Max22W	<500mA <300mA <100mA	DN15-50(2-way) DN15-25(3-way)	IP65	CR01S CR02S CR03S CR04S(with signal feedback)

MAIN COMPONENTS

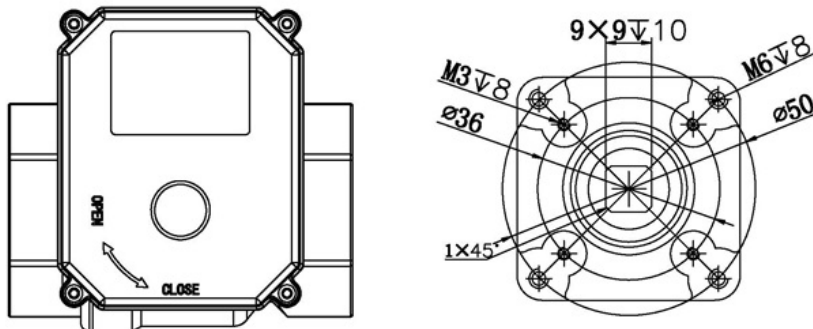
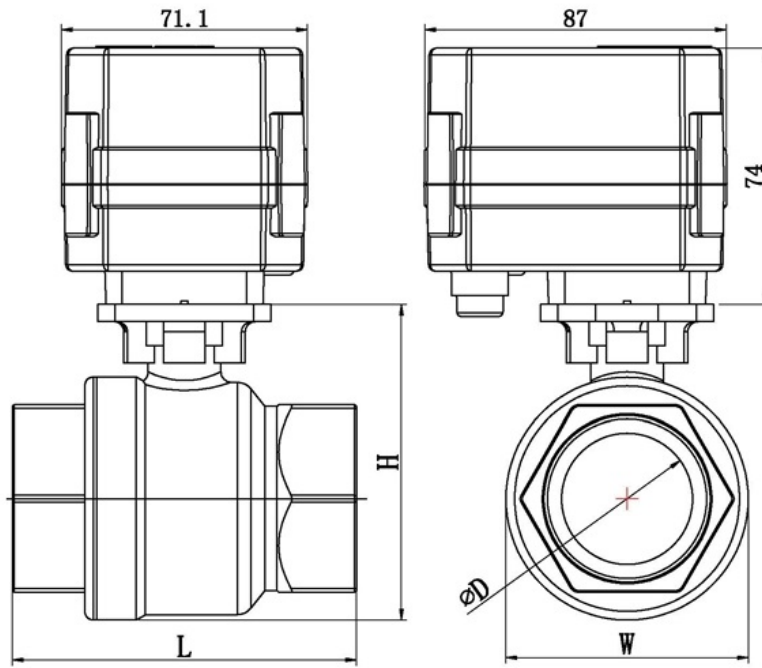
Valve body	Sealing	Seat	Valve ball
UPVC/Brass/SS304/SS316	Silicon Rubber/NBR/EPDM	PTFE	UPVC/Brass/SS304/SS316

OUTLINE DRAWING





(With manual function)



(Without manual function)

SHAPE SIZE

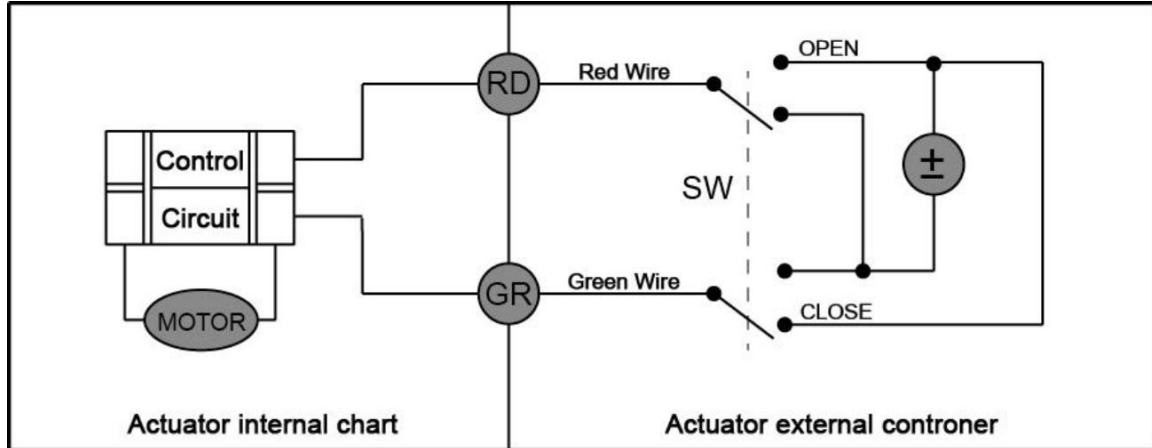
Stainless steel	Connection	Size	d(mm)	L(mm)	H(mm)	N.W.(kg)
	Both female thread full port	DN15	15	62	55	0.8
		DN20	20	71	63	0.873
		DN25	25	81	78	0.968
		DN32	32	93	84	1.433
		DN40	40	102	91	1.72
		DN50	50	118	107	2.157

UPVC	Connection	Size	d(mm)	L(mm)	H(mm)	N.W.(kg)
	Both female thread/Glue full port	DN15	15	121	50	0.795
		DN20	20	135	62	0.933
		DN25	25	150	69	1.052
		DN32	32	165	82	1.26
		DN40	40	181	99	1.55
		DN50	50	206	122	2.232

3-way horizontal type (stainless steel)	Size	L1(mm)	L2(mm)	H(mm)	N.W.(kg)
	DN15	80	52	54	1.042
	DN20	82	62	59	1.253
	DN25	87	67	71	1.457

WIRING DIAGRAMS

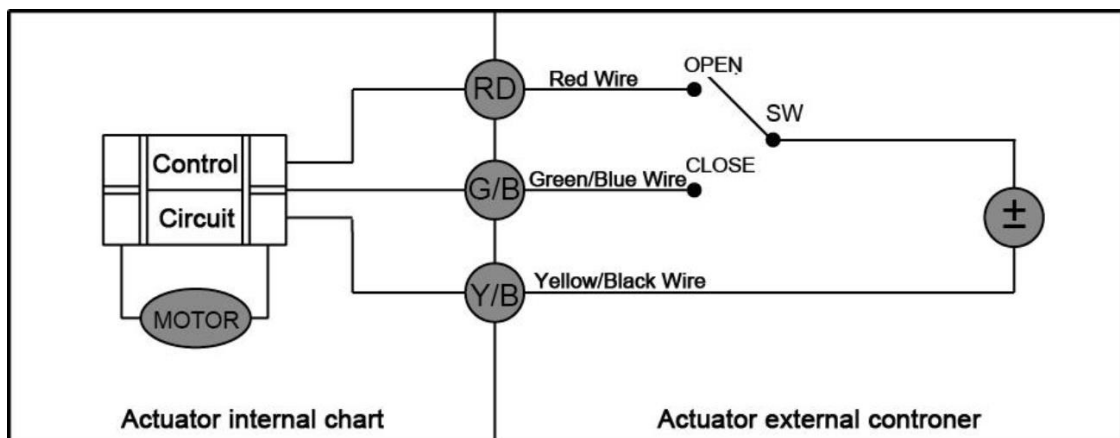
CR01 (two wires and reverse polarity)



Voltage: 3-6VDC / 12VDC / 9-35VDC

1. Connecting SW to OPEN , the valve opens , getting the position ,automatically power off, the valve remain fully open position
2. Connection SW to CLOSE , the valve close , getting the position ,automatically power off, the valve remains fully close position

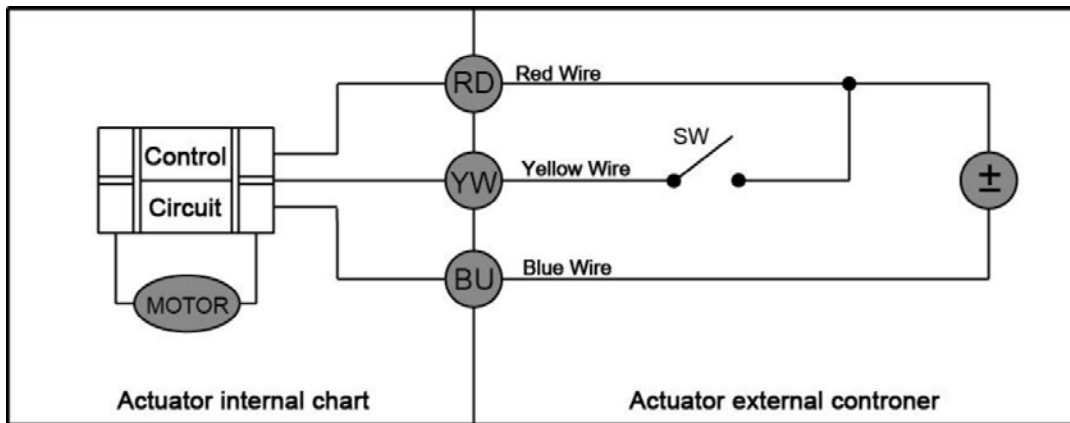
CR02 (three wires two point control)



Voltage: 3-6VDC / 12VDC / 9-24VDC

- 1.Connecting SW to OPEN, the valve opens , getting the position ,automatically power off, the valve remain fully open position
- 2.Connection SW to CLOSE, the valve close , getting the position ,automatically power off, the valve remains fully closed position

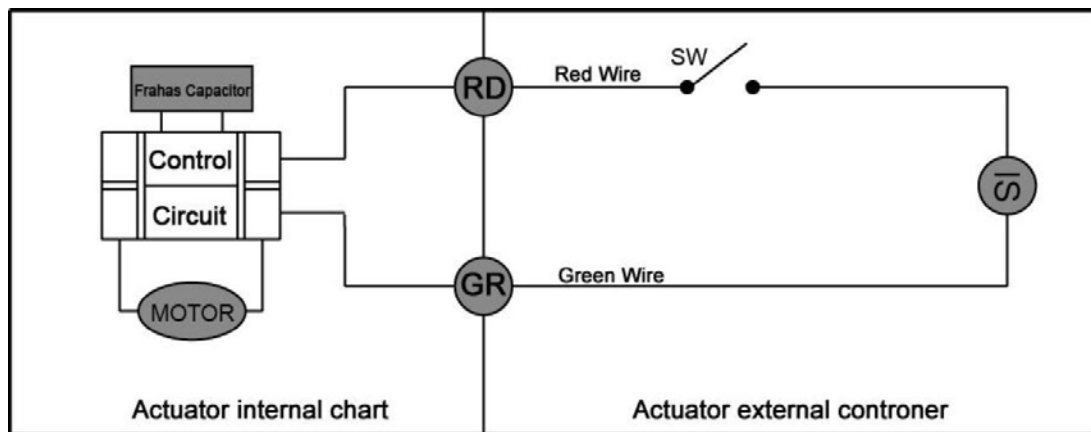
CR03 (three wires one point control)



Voltage: 3-6VDC / 12VDC / 9-24VADC / 9-35VDC / 110VAC / 220VAC

1. Connecting SW, the valve opens , getting the position ,automatically power off, the valve remain fully open position
2. Disconnecting SW, the valve close , getting the position ,automatically power off, the valve remains fully close position

CR04 (two wires and fail-safe/power-off return)

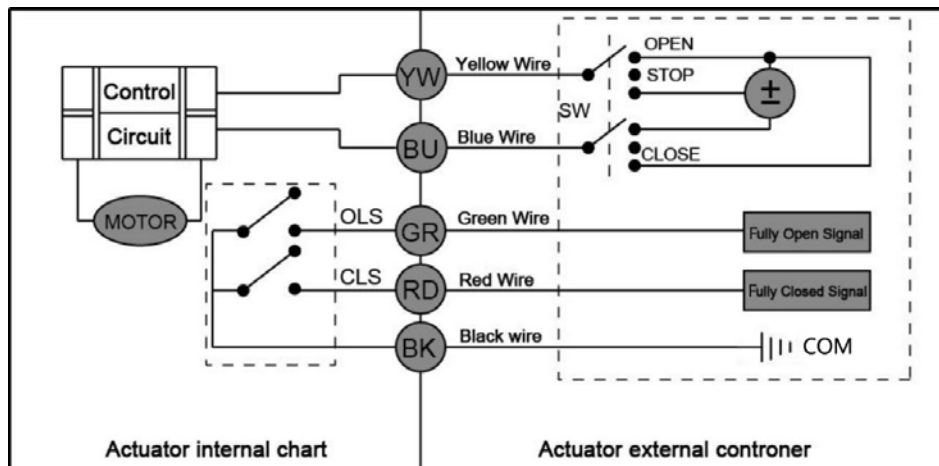


Voltage: 9-24VADC / 9-35VDC / 110VAC / 220VAC

1. SW connecting ,the valve open, getting the position and the power off automatically,
the valve remains fully open position
2. SW disconnecting ,the valve close, getting the position and power off automatically,
the valve remains fully close position(this is for normally closed)

Note: CR04 also have normally open type, please reminder us for normally open type.

CR05(five wires micro controller with signal feedback)



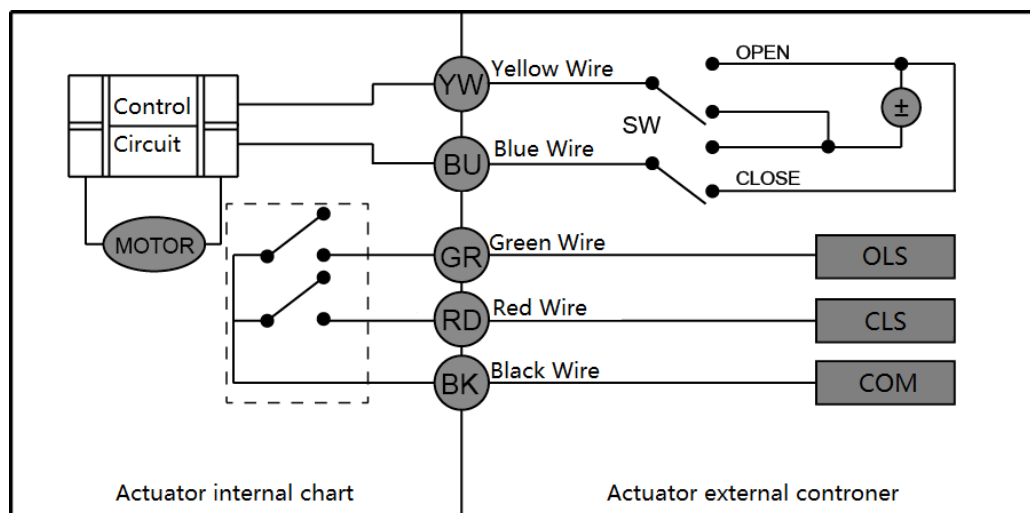
Voltage: 3-6VDC / 12VDC / 24VDC

1. Connecting SW and OPEN , the valve opens , getting the position green wire output the OLS signal ,
the controller test the signal OLS, connect SW to STOP, the valve stops and remains fully open position
2. Connecting SW and CLOSE , the valve close , getting the position red wire output the CLS signal ,
the controller test the signal of CLS, connect SW to STOP, the valve stops and remains fully close position,

Note: Please make sure the signal wires "red", "black" and "green" be connected at first,

then contact with the power wires " yellow" and "blue"

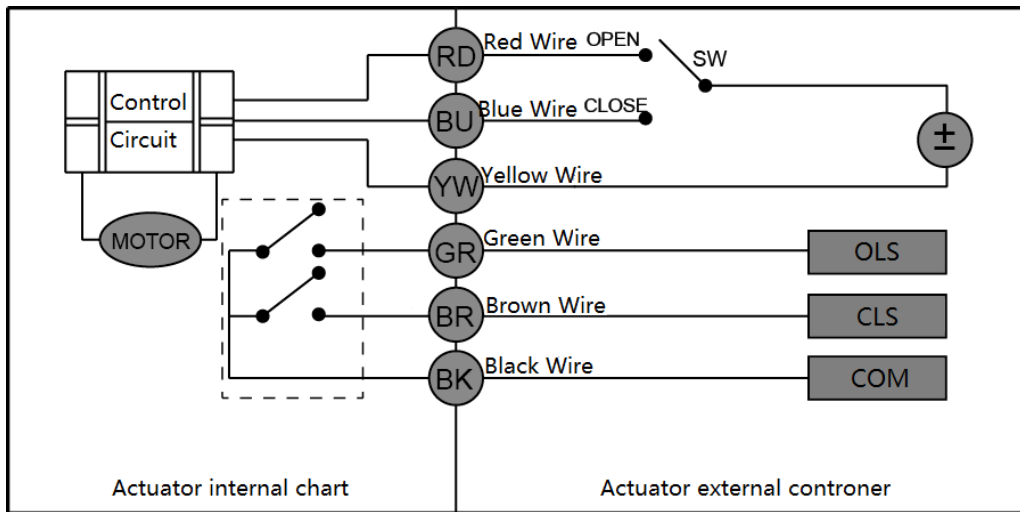
CR01S Wiring Diagram (five wires with feedback)



Voltage 3-6VDC / 12VDC / 9-35VDC feedback voltage:< 36V

1. Connecting SW to OPEN, the valve opens, getting the position, automatically power off, the valve remain fully open position,
meanwhile output open position signal
2. Connecting SW to CLOSE, the valve close, getting the position, automatically power off, the valve remains fully close position,
meanwhile output close position signal

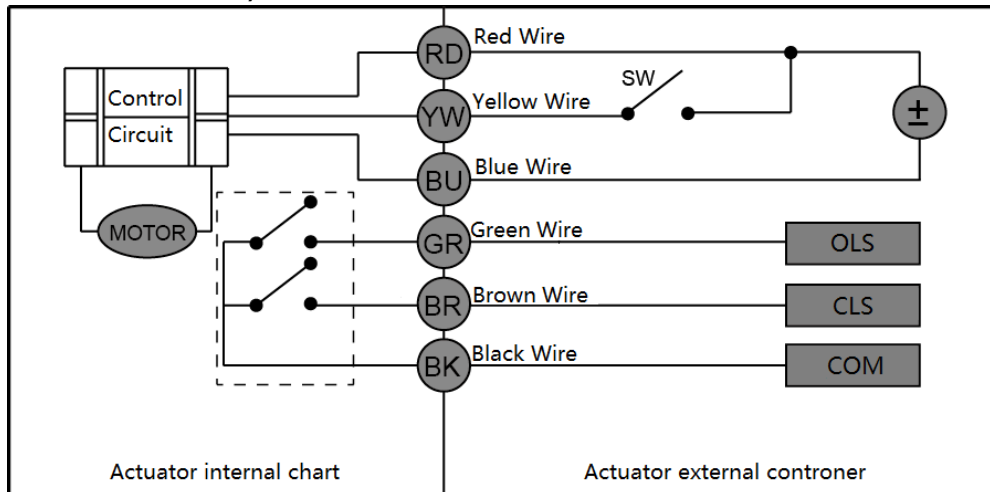
CR02S(six wires with feedback)



Voltage 3-6VDC / 12VDC / 9-35VDC feedback voltage:< 36V

1. Connecting SW to OPEN, the valve opens, getting the position, automatically power off, the valve remain fully open position, meanwhile output open position signal
2. Connecting SW to CLOSE, the valve close, getting the position, automatically power off, the valve remains fully close position, meanwhile output close position signal

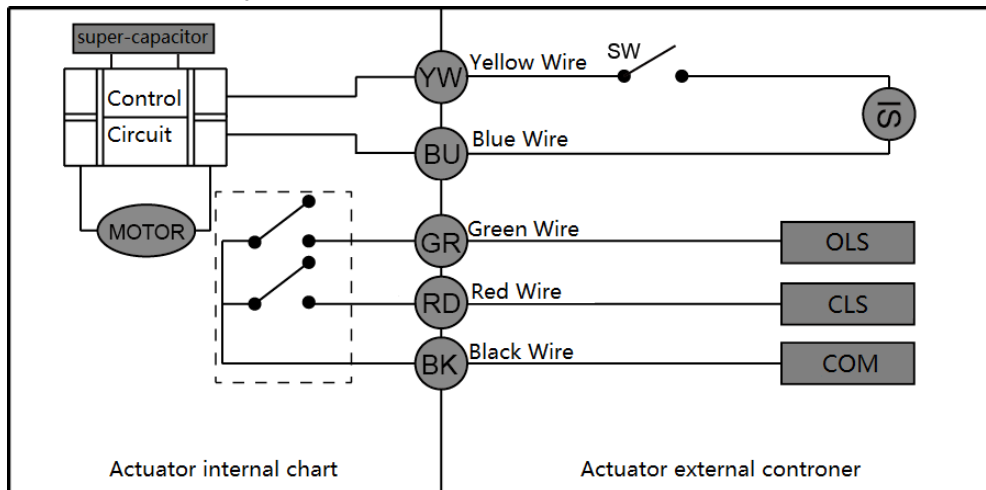
CR03S(six wires with feedback)



Voltage 3-6VDC / 9-24VADC / 9-35VDC / 110VAC / 220VAC feedback voltage:<DC36V

1. Connecting SW, the valve opens, getting the position, automatically power off, the valve remain fully open position, meanwhile output open position signal
2. Disconnecting SW, the valve close, getting the position, automatically power off, the valve remains fully close position, meanwhile output close position signal

CR04S (five wires with feedback)



Voltage 9-24VADC / 9-35VDC / 110VAC / 220VAC

feedback voltage:<DC36V

- 1.SW connecting, the valve open, getting the position and the power off automatically, the valve remain fully open position, meanwhile output open position signal
- 2.SW disconnecting, the valve close, getting the position and the power off automatically, the valve remain fully close position, meanwhile output close position signal (this is for normally closed)

Note: CR04 also have normally open type, please reminder us for normally open type.